



Specification

Model	GF200-06	GF200-08	GF300-08	GF300-10	GF300-15	GF400-10	GF400-15	GF600-20	GF600-25
Fluid	Air								
Port size	1/8"	1/4"	1/4"	3/8"	1/2"	3/8"	1/2"	3/4"	1"
Filtering grade	40 μm or 5 μm								
Pressure range	Semi-auto and automatic drain: 0.15-0.9MPa(20~130Psi); Manual drain: 0.05-0.9MPa(7~130Psi)								
Proof pressure	1.5 MPa(215Psi)								
Temperature range	-20~70°C								
Capacity of drain bowl	10CC		40CC			80CC		230CC	
Weight	135g		360g			680g		1440g	

Ordering code

GF200 — 08 — M — □ — W — T

Model	Port size	Accessories	Filtering grade	Thread
GF200: G200 Series Filter	06: 1/8" 08: 1/4"	Blank: Bracket J: No bracket ②	Blank: 40 μm W: 5 μm	T: NPT G: G
GF300: G300 Series Filter	08: 1/4" 10: 3/8" 15: 1/2"			
GF400: G400 Series Filter	10: 3/8" 15: 1/2"			
GF600: G600 Series Filter	20: 3/4" 25: 1"			

Drain type

Blank: Semi-auto drain
M: Manual drain
A: Automatic drain ①

① The function of automatic drain is not available for GF200 series;
② The type without bracket is the standard configuration.

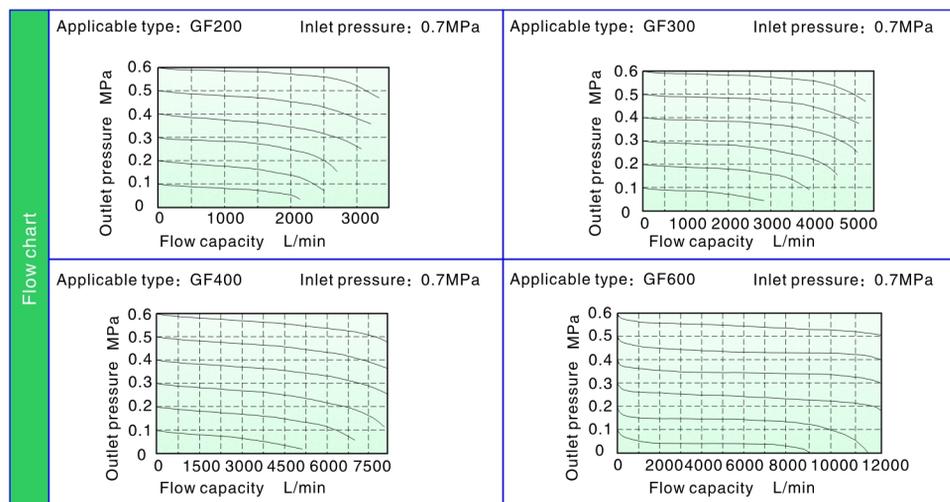
Symbol



Product feature

- 1、Unique diversion structure makes air flowing through properly rotate, which can more effectively separate the liquid from gas and reliably filter the solid grain;
- 2、It has low pressure loss, high efficiency in separating water and large drain bowl capacity;
- 3、Filtering grade includes 5 μm and 40 μm (optional);
- 4、Three drain types are available: manual drain, semi-auto drain and automatic drain.
- 5、The bracket can be selected for installation.

Flow chart

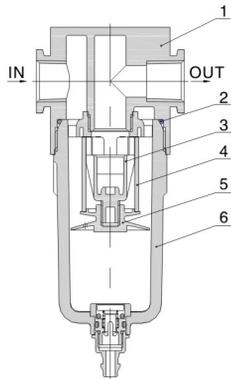


Preparation unit—Filter

GF Series

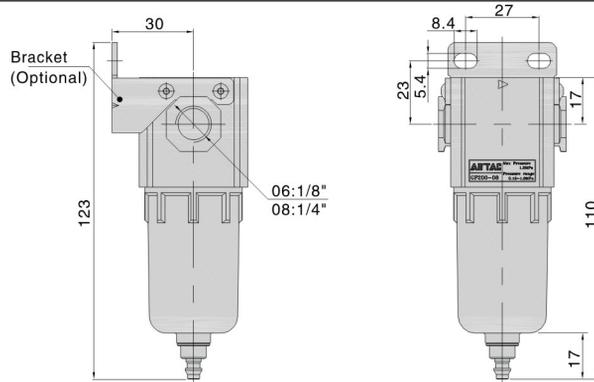
Inner structure and material of major parts ■ Dimensions

GF200



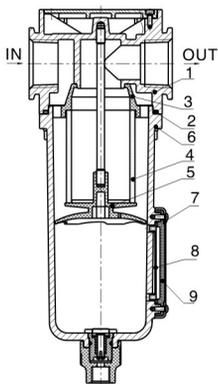
Semi-Auto drain

GF200



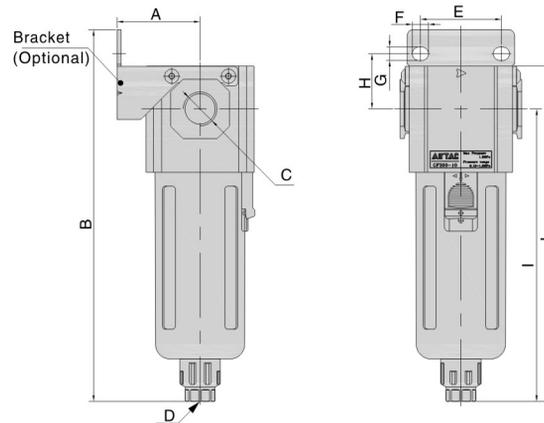
GF

GF600



Semi-Auto drain

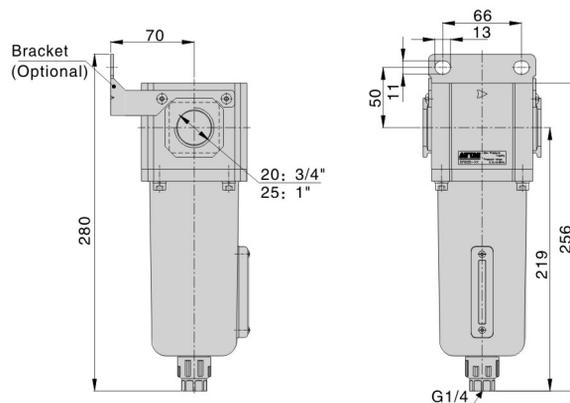
GF300 GF400



Model/Item	A	B	C	D	E	F	G	H	I	J
GF300-08	41	182	1/4"	G1/8	40	8	6.5	27	143	164
GF300-10	41	182	3/8"	G1/8	40	8	6.5	27	143	164
GF300-15	41	182	1/2"	G1/8	40	8	6.5	27	143	164
GF400-10	50	208	3/8"	G1/4	55	11	8.6	33.5	166.5	191.5
GF400-15	50	208	1/2"	G1/4	55	11	8.6	33.5	166.5	191.5

NO.	Item	Material
1	Body	Aluminum alloy
2	O-ring	NBR
3	Air guider	POM high viscosity
4	Filter core	Agglomerated by bronze grain(40um) Agglomerated by brass grain(GF600) Makrolon fiber(5um)
5	Umbrella baffle	POM high viscosity
6	Drain bowl	Aluminum alloy (GF600)\ PC(Other)
7	Liquid meter cover	SPCC
8	Liquid meter seal	VITON
9	Liquid meter inside cover	PC

GF600



Selection of drain mode

The drain modes of different series are different. Please refer to P II-07 for details.